

# Service Manual

DH9300 /N1B/U1B

Music Server



COMPACT  
disc  
DIGITAL AUDIO

POWERED BY  
XIVA™

DH9300

## TABLE OF CONTENTS

SECTION	PAGE
1. INTRODUCTION / SPECIFICATIONS .....	1
2. SERVICE HINTS AND TOOLS .....	2
3. WARNING AND LASER SAFETY INSTRUCTIONS.....	3
4. TEST ROUTINE .....	4
5. EXPLODED VIEW AND PARTS LIST .....	6

Please use this service manual with referring to the user guide ( D.F.U. ) without fail.  
修理の際は、必ず取扱説明書を準備し操作方法を確認の上作業を行ってください。

# marantz®

## DH9300

## MARANTZ DESIGN AND SERVICE

Using superior design and selected high grade components, **MARANTZ** company has created the ultimate in stereo sound. Only original **MARANTZ** parts can insure that your **MARANTZ** product will continue to perform to the specifications for which it is famous.

Parts for your **MARANTZ** equipment are generally available to our National Marantz Subsidiary or Agent.

### ORDERING PARTS :

Parts can be ordered either by mail or by Fax.. In both cases, the correct part number has to be specified.

The following information must be supplied to eliminate delays in processing your order :

1. Complete address
2. Complete part numbers and quantities required
3. Description of parts
4. Model number for which part is required
5. Way of shipment
6. Signature : any order form or Fax. must be signed, otherwise such part order will be considered as null and void.

#### USA

**MARANTZ AMERICA, INC**  
1100 MAPLEWOOD DRIVE  
ITASCA, IL. 60143  
USA  
PHONE : 630 - 741 - 0300  
FAX : 630 - 741 - 0301

#### EUROPE / TRADING

**MARANTZ EUROPE B.V.**  
P. O. BOX 8744, BUILDING SILVERPOINT  
BEEMDSTRAAT 11, 5653 MA EINDHOVEN  
THE NETHERLANDS  
PHONE : +31 - 40 - 2507844  
FAX : +31 - 40 - 2507860

#### CANADA

**LENBROOK INDUSTRIES LIMITED**  
633 GRANITE COURT,  
PICKERING, ONTARIO L1W 3K1  
CANADA  
PHONE : 905 - 831 - 6333  
FAX : 905 - 831 - 6936

#### PROFESSIONAL AMERICAS

**SUPERSCOPE TECHNOLOGIES, INC.**  
MARANTZ PROFESSIONAL PRODUCTS  
2640 WHITE OAK CIRCLE, SUITE A  
AURORA, ILLINOIS 60504 USA  
PHONE : 630 - 820 - 4800  
FAX : 630 - 820 - 8103

#### PROFESSIONAL AUSTRALIA

**TECHNICAL AUDIO GROUP PTY, LTD**  
43-53 Bridge Rd.,  
STANMORE NSW 2048  
AUSTRALIA  
PHONE : +61 - (0)2 - 9519 - 0900  
FAX : +61 - (0)2 - 9519 - 0600

#### PROFESSIONAL HONG KONG

**Jolly ProAudio Broadcast Engineering Ltd.**  
UNIT 2, 10F, WAH HUNG CENTRE,  
41 HUNG TO ROAD, KWUN TONG, KLN.,  
HONG KONG  
PHONE : 852 - 21913660  
FAX : 852 - 21913990

#### AUSTRALIA

**QualiFi Pty Ltd,**  
24 LIONEL ROAD,  
MT. WAVERLEY VIC 3149  
AUSTRALIA  
PHONE : +61 - (0)3 - 9543 - 1522  
FAX : +61 - (0)3 - 9543 - 3677

#### THAILAND

**MRZ STANDARD CO., LTD**  
746 - 754 MAHACHAI ROAD.,  
WANGBURAPAPIROM, PHRANAKORN,  
BANGKOK, 10200 THAILAND  
PHONE : +66 - 2 - 222 9181  
FAX : +66 - 2 - 224 6795

#### SINGAPORE

**WO KEE HONG DISTRIBUTION PTE LTD**  
130 JOO SENG ROAD  
#03-02 OLIVINE BUILDING  
SINGAPORE 368357  
PHONE : +65 6858 5535 / +65 6381 8621  
FAX : +65 6858 6078

#### NEW ZEALAND

**WILDASH AUDIO SYSTEMS NZ**  
14 MALVERN ROAD MT ALBERT  
AUCKLAND NEW ZEALAND  
PHONE : +64 - 9 - 8451958  
FAX : +64 - 9 - 8463554

#### TAIWAN

**PAI- YUING CO., LTD.**  
6 TH FL NO, 148 SUNG KIANG ROAD,  
TAIPEI, 10429, TAIWAN R.O.C.  
PHONE : +886 - 2 - 25221304  
FAX : +886 - 2 - 25630415

#### MALAYSIA

**WO KEE HONG ELECTRONICS SDN. BHD.**  
2ND FLOOR BANGUNAN INFINITE CENTRE  
LOT 1, JALAN 13/6, 46200 PETALING JAYA  
SELANGOR DARUL EHSAN, MALAYSIA  
PHONE : +60 - 3 - 7954 8088  
FAX : +60 - 3 - 7954 7088

#### JAPAN *Technical*

**MARANTZ JAPAN, INC.**  
35- 1, 7- CHOME, SAGAMIONO  
SAGAMIHARA - SHI, KANAGAWA  
JAPAN 228-8505  
PHONE : +81 42 748 1013  
FAX : +81 42 741 9190

#### 日本マランツ株式会社

本社 〒228-8505  
神奈川県相模原市相模大野7-35-1

#### KOREA

**MK ENTERPRISES LTD.**  
ROOM 604/605, ELECTRO-OFFICETEL, 16-58,  
3GA, HANGANG-RO, YONGSAN-KU, SEOUL  
KOREA  
PHONE : +822 - 3232 - 155  
FAX : +822 - 3232 - 154

### SHOCK, FIRE HAZARD SERVICE TEST :

**CAUTION :** After servicing this appliance and prior to returning to customer, measure the resistance between either primary AC cord connector pins ( with unit NOT connected to AC mains and its Power switch ON ), and the face or Front Panel of product and controls and chassis bottom.

Any resistance measurement less than 1 Megohms should cause unit to be repaired or corrected before AC power is applied, and verified before it is return to the user/customer.

Ref. UL Standard No. 1492.

In case of difficulties, do not hesitate to contact the Technical Department at above mentioned address.

# 1. INTRODUCTION / SPECIFICATIONS

## INTRODUCTION

Welcome to the DH9300 Music Server from Marantz. The DH9300 is a revolutionary way of filling your home with music.

Your Music Server stores and catalogues your music collection, allowing you to select any album or track at the press of a key. You can browse through your albums and tracks using convenient on-screen menus displayed on your television, showing full album, track, and artist names downloaded from the Internet CD database. Your Music Server also lets you organise your music collection and create selections for different occasions to suit your mood.

### Incredible capacity

Your Music Server is a hard disk based audio system which can store hundreds of hours of music, all with the convenience of instant access, at the touch of a key.

### Convenient TV screen

Play music, record CDs, or organise your library using convenient on-screen menus which show the full album, artist, and track names, allowing you to select the one you want with a few simple selections.

### Internet access for track listings

Your Music Server records the CDs from your music collection at faster than real time. It then automatically connects to a dedicated Internet CD database via the built-in modem or Ethernet connection. This database provides album and track details for a wide range of CDs. This information can be downloaded and stored with each CD you record, allowing you to select any item in your music collection by album name, artist name, track name, or genre, giving you total flexibility in the way you access and control your music collection.

### Create your own playlists

Your Music Server allows you to compile personal playlists and then automatically play tracks from the playlist you have selected. Playlists let you customise your Music Server for each member of the family, or for matching the music to the occasion or mood.

### Instant access, irrespective of your music collection

Whether you select a track by title, album, artist, or genre, your Music Server locates it instantly and plays it at the press of a key. All this is achieved with an extremely simple and intuitive user interface, operated using a few keys on the front panel or remote control.

## SPECIFICATIONS

### – General

System..... Hard Disk Based Audio Server  
Power requirements.....110/220V AC 60/50Hz  
Power Consumption..... 25W  
Weight..... 7.8kg  
Dimensions..... 98mm(H) x 440mm(W) x 375mm(D)  
Operating temperature..... 10-40°C  
Operating humidity..... 10-90% RH (non-condensing)

### – Video Outputs

#### • S-Video Output

Y (luminance) - Output level.....  $1V_{p-p}/75\Omega$   
C (colour) - Output level.....  $0.3V_{p-p}/75\Omega$   
Connector..... S-VIDEO jack

#### • Composite outputs (4 individual outputs)

Output level.....  $1V_{p-p}/75\Omega$   
Connector..... RCA jack

#### • VGA output

Output level.....  $0.75V_{p-p}/75\Omega$   
Connector..... 15 pin D-type F  
Output resolution..... 800x600

### – Audio outputs

#### • Analogue outputs (4 pairs of outputs)

Output level.....  $2V_{RMS}$   
Output impedance..... 500 $\Omega$   
Connector..... RCA jack

#### • Digital outputs

Optical digital output..... Optical digital jack (Toslink)  
Coaxial digital output level.....  $500mV_{p-p}/75\Omega$   
Coaxial digital output connector..... RCA jack

### – Audio inputs (not available)

#### • Analogue inputs

Maximum input level.....  $2V_{RMS}$   
Input impedance..... 10k $\Omega$   
Connector..... RCA Jack

#### • Coaxial Digital input

SRC supported frequency..... 32kHz, 44.1kHz, 48kHz  
Maximum input level.....  $500mV_{p-p}/75\Omega$   
Connector..... RCA Jack

### – Analogue audio characteristics

Frequency response..... 20Hz to 20kHz  
S/N ratio (@1kHz)..... more than 90dB  
Dynamic range..... more than 90dB  
Total harmonic distortion (@1kHz).. less than 0.005%  
Channel separation (@1kHz)..... more than 100dB

### – Communications

#### • Modem

Connector..... RJ11 (56kbit/s)

#### • Ethernet

Connector..... RJ45 (10 Base T/100 Base T)

#### • Controller

Connector..... 9 pin D-type M

#### • Remote in (4 individual connectors)

Maximum input level..... 5V  
Connector..... RCA jack

#### • Modulated Remote Input

Maximum input level..... 5V  
Connector..... 3.5mm jack

#### • Opus Connection (not available on all models)

Connector..... RJ45

#### • USB

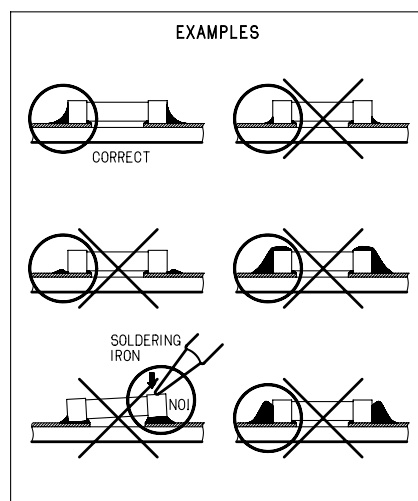
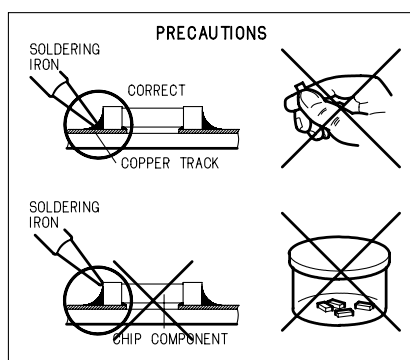
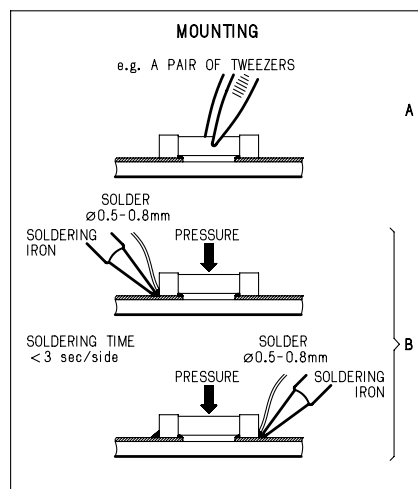
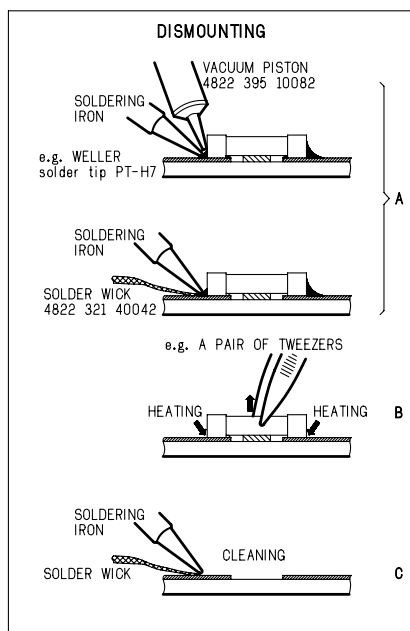
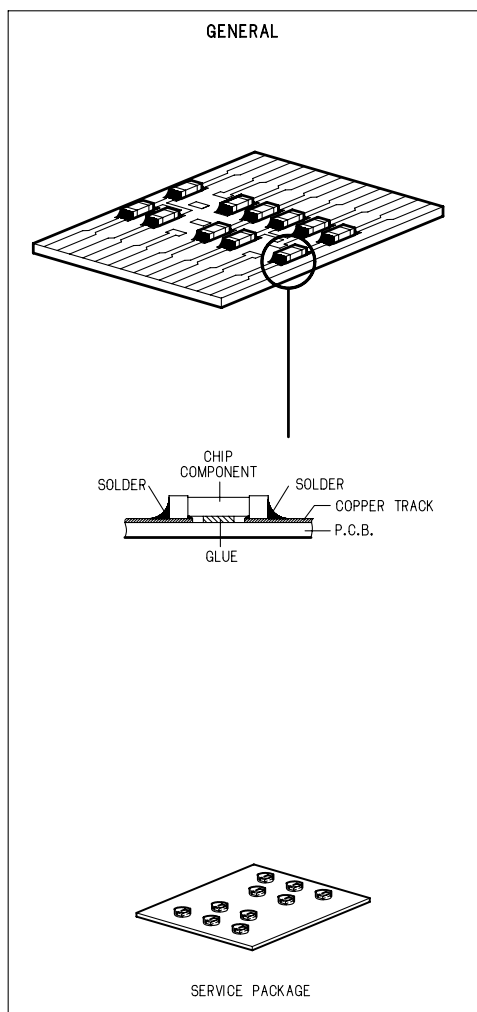
Connector..... Type A USB socket

### – Accessories

Stereo RCA cable..... 1  
Video cable..... 1  
Modem cable..... 1  
Power cord..... 1  
Remote control unit..... 1  
AAA (R03P) dry cell batteries..... 2  
Operating instructions..... 1  
Warranty card (U1B model only)..... 1

## 2. SERVICE HINTS AND TOOLS

### SERVICE HINTS



### SERVICE TOOLS

Audio signals disc	4822 397 30184
Disc without errors (SBC444)+Disc with DO errors, black spots and fingerprints (SBC444A)	4822 397 30245
Disc (65 min 1kHz) without no pause	4822 397 30155
Max. diameter disc (58.0 mm)	4822 397 60141
13th order filter	4822 395 30204

### 3. WARNING AND LASER SAFETY INSTRUCTIONS

**(GB) WARNING**

All ICs and many other semi-conductors are susceptible to electrostatic discharges (ESD). Careless handling during repair can reduce life drastically. When repairing, make sure that you are connected with the same potential as the mass of the set via a wrist wrap with resistance. Keep components and tools also at this potential.



**(NL) WAARSCHUWING**

Alle IC's en vele andere halfgeleiders zijn gevoelig voor elektrostatische ontladingen (ESD). Onzorgvuldig behandelen tijdens reparatie kan de levensduur drastisch doen verminderen. Zorg ervoor dat u tijdens reparatie via een polsband met weerstand verbonden bent met hetzelfde potentiaal als de massa van het apparaat. Houd componenten en hulpmiddelen ook op dit zelfde potentiaal.

**(F) ATTENTION**

Tous les IC et beaucoup d'autres semi-conducteurs sont sensibles aux décharges statiques (ESD). Leur longévité pourrait être considérablement écourtée par le fait qu'aucune précaution n'est prise à leur manipulation. Lors de réparations, s'assurer de bien être relié au même potentiel que la masse de l'appareil et enfiler le braceleterti d'une résistance de sécurité. Veiller à ce que les composants ainsi que les outils que l'on utilise soient également à ce potentiel.

**(D) WARNUNG**

Alle IC und viele andere Halbleiter sind empfindlich gegen elektrostatische Entladungen (ESD). Unsorgfältige Behandlung bei der Reparatur kann die Lebensdauer drastisch vermindern. Sorgen sie dafür, das Sie im Reparaturfall über ein Pulsarmband mit Widerstand mit dem Massepotential des Gerätes verbunden sind. Halten Sie Bauteile und Hilfsmittel ebenfalls auf diesem Potential.

**(I) AVVERTIMENTO**

Tutti IC e parecchi semi-conduttori sono sensibili alle scariche statiche (ESD). La loro longevita potrebbe essere fortemente ridatta in caso di non osservazione della piu grande cauzione alla loro manipolazione. Durante le riparazioni occorre quindi essere collegato allo stesso potenziale che quello della massa dell'apparecchio tramite un braccialetto a resistenza. Assicurarsi che i componenti e anche gli utensili con quali si lavora siano anche a questo potenziale.

**(GB)**

Safety regulations require that the set be restored to its original condition and that parts which are identical with those specified be used.

**(D)**

Bei jeder Reparatur sind die geltenden Sicherheitsvorschriften zu beachten. Der Originalzustand des Gerats darf nicht verändert werden. Fur Reparaturen sind Original-Ersatzteile zu verwenden.

**(NL)**

Veiligheidsbepalingen vereisen, dat het apparaat in zijn oorspronkelijke toestand wordt terug gebracht en dat onderdelen, identiek aan de gespecificeerde worden toegepast.

**(I)**

Le norme di sicurezza esigono che l'apparecchio venga rimesso nelle condizioni originali e che siano utilizzati pezzi di ricambio idetici a quelli specificati.

"Pour votre sécurité, ces documents doivent être utilisés par des spécialistes agréés, seuls habilités à réparer votre appareil en panne."

**(F)**

Les normes de sécurité exigent que l'appareil soit remis a l'état d'origine et que soient utilisées les pièces de rechange identiques à celles spécifiées.

### LASER SAFETY

This unit employs a laser. Only a qualified service person should remove the cover or attempt to service this device, due to possible eye injury.



**USE OF CONTROLS OR ADJUSTMENTS OR PERFORMANCE OF PROCEDURE OTHER THAN THOSE SPECIFIED HEREIN MAY RESULT IN HAZARDOUS RADIATION EXPOSURE.**

**AVOID DIRECT EXPOSURE TO BEAM**

#### WARNING

**The use of optical instruments with this product will increase eye hazard. Repair handling should take place as much as possible with a disc loaded inside the player**

#### WARNING LOCATION: INSIDE ON LASER COVERSIELD

**CAUTION** VISIBLE AND INVISIBLE LASER RADIATION WHEN OPEN AVOID EXPOSURE TO BEAM  
**ADVARSEL** SYNLIG OG USYNLIG LASERSTRÅLING VED ÅBNING UNDGÅ UDSÆTTELSE FOR STRÅLING  
**ADVARSSEL** SYNLIG OG USYNLIG LASERSTRÅLING NÅR DEKSEL Å PNES UNNGÅ EKSPONERING FOR STRÅLEN  
**WARNING** SYNLIG OCH OSYNLIG LASERSTRÅLNING NÅR DENNA DEL ÅR ÖPPNAD BETRAKTA EJ STRÅLEN  
**VARO!** AVATT AESSA OLET ALTTIINA NÄKYVÄLLE JA NÄKYMÄTTÖMÄLLE LASER SÄTEILYLLE. ÄLÄ KATSO SÄTEESEEN  
**VORSICHT** SICHTBARE UND UNSICHTBARE LASERSTRAHLUNG WENN ABDECKUNG GEÖFFNET NICHT DEM STRAHL AUSSETSEN  
**DANGER** VISIBLE AND INVISIBLE LASER RADIATION WHEN OPEN AVOID DIRECT EXPOSURE TO BEAM  
**ATTENTION** RAYONNEMENT LASER VISIBLE ET INVISIBLE EN CAS D'OUVERTURE EXPOSITION DANGEREUSE AU FAISCEAU

## 4. TEST ROUTINE

### Important

Please note down the serial number and model number of the unit and communicate these details to Imerge Support once work has finished.

### Equipment needed

- Power cable.
- PC with Hyperterminal installed and XiVA Producer.
- RS232 cable (Null Modem).
- RJ11 to RJ11 telephone cable (with appropriate adapter).
- Handspring Visor or Palm m515 with USB cradle.
- RJ45 straight wired CAT5 ethernet cable (to connect to office LAN or broadband router or private network).
- VGA monitor with VGA 9 pin connector cable.
- TV with composite and s-video connections.
- Composite video cable.
- S-video cable.
- Digital A/V amplifier.
- TOSLINK optical cable.
- S/PDIF RCA cable.
- 2 RCA stereo audio cables.
- Opus MCU500 music control unit.
- Opus DZM zone amplifier (DZM-20, DZM-50, DZM-100).
- Opus WCU500 wall control unit.
- 2 RJ45 straight wired CAT5 cables.
- RCA to RCA phono cable for electrical infra-red transmission.
- XiVA R704 MusicServer remote.

### Connections

- Connect the RS232 cable between the PC 9 pin COM port and the 9 pin controller port.
- Connect the USB cradle to the USB port.
- Connect the RJ11 cable between an analogue telephone socket and the modem port.
- Connect the RJ45 cable between the office LAN/router/private network to the ethernet port.
- Connect the VGA cable between the VGA monitor and the VGA port.
- Connect the composite video cable between the TV and Video 1 out port.
- Connect the s-video cable between the TV and S-Video out port.
- Connect the TOSLINK optical cable between the A/V amplifier and the Optical out port.
- Connect the S/PDIF RCA cable between the A/V amplifier and the Coaxial out port.
- Connect 1 RCA stereo audio cable between the A/V amplifier and the Out 1 L/R ports.

### 1. Powering up the Unit

Connect the power cable to the unit, the fan on the side of the unit should temporarily spin into action. The unit should spring into life and the front panel display should show text. The TV and VGA displays will show the Marantz MusicServer screen. If none of the above happens, ensure that the power cable is good, check the fuses in the plug and mains inlet filter. Still no power, remove the lid and change the PSU. If the PSU change has no effect, check the internal power cables.

The unit should take approximately 3 minutes to boot up. It can take longer depending on the manner in which it was switched

off. A MusicServer that is not powered down correctly, for example the power cable was pulled, a disk check will be performed on the next boot up. You will hear activity from the hard disk drive in this case. If the MusicServer has not booted and audible hard disc activity has stopped after 30 minutes to an hour, pull the plug, remove the lid and reseal all cables. Replace the power cable. If the unit still does not boot, contact Imerge support.

### 2. Checking the Front Panel Buttons

Ensure that all the buttons on the front panel are working. Navigate through the menu system using the cursor keys, four action keys (below the LCD screen) and CD transport controls (Play, Stop, Pause, Track skip forward and back). Make sure that the button being pressed has an action assigned to it on the Front Panel / TV interface, i.e. the play button will not work unless an album has been selected and the record button is only used in conjunction with the recording process

### 3. Testing Infra-Red control

Point the XiVA R704 handset at the MusicServer and navigate the Front Panel / TV display using IR. If no IR activity is apparent, ensure the remote is set for GUI control. (Hold down select and HDD Audio until the HDD button light stays on, type 0 0 0 and press HDD Audio down again and the light should flash twice). If still no IR is available, replace the batteries in the remote. If no IR is being received at this point, remove the MusicServer front panel metalwork by unscrewing the 4 M4 screws inside the unit and the 4 countersunk M3 screws on the underside of the front panel. Check that the IR receiver is in line with the template on the front panel PCB. Replace the front panel metalwork. If no IR is received at this point, contact Imerge support.

### 4. Testing the Controller Port

Open up XiVA Producer on a PC. Ensuring that the serial RS232 (Null Modem) cable is firmly connected to the PC and MusicServer controller ports, click the selector in the Producer toolbar. Select the connection setting for whichever COM port your PC is using e.g. COM1. Press the 'connect' button. Successful connection will be displayed and the Browser button in the toolbar will become available (it is greyed out when there is no connection available). Check the transport controls using the Player button. If no connection can be made, check the COM settings on the PC, ensure the cable is OK, check that the baud rate is the same on the PC and MusicServer (settings -> system settings -> controller settings -> XiVALink options). If no control is possible, contact Imerge support.

### 5. Testing the USB Port

Dock the Handspring Visor in the USB cradle attached to the MusicServer. Ensure that the Visor has at least the demo version of XiVA tacts running on it. Go to the licensee support page on <http://www.xiva.com/support/xivasupport.html> to download this if needed. Hotsync the Visor with the MusicServer. Info on status can be seen on the Visor. If no connection can be made, check the cable is in correctly. Functionality can also be tested by plugging in a USB keyboard into the the MusicServer and pressing the 'Caps Lock' key. If the caps lock light illuminates, then the port is

OK. If no connection can be made, contact Imerge Support.

## 6. Testing the Video Outputs

- a) Ensure that the video outputs of the MusicServer are working correctly. Use the composite video cable in 'Video 1 out' to test video outputs 2,3 and 4.
- b) If no signal is present from the VGA, video 1 out or s-video outputs, check all cables. If the cables are OK, replace the main AX board with a known working board, and test again.
- c) If no signal is present from the video 2,3 and 4 outs, check the cable. If the cable is OK, replace the AEB with a known working board and test again.

## 7. Recording a CD

Press the 'open/close' CD drawer button above the 'output' button. The CD tray will eject. If the tray does not eject, force the drive to open using the pin hole underneath the drawer front. This will possibly only happen if a CD is present and the CD has a data partition. Insert a CD into the tray and press the 'open/close' button again. Follow the procedure in the manual for recording a CD cancelling any reference to CDDB lookup via modem or ethernet. Once the CD has recorded, remove the CD from the drawer.

## 8. Audio Test

- a) Test the four analogue outputs using the same stereo cable. Play a track on each output to check audio integrity. If no signal is present on outputs 2,3 and 4, check the cables and connection to the amplifier. Ensure the amplifier is set to the correct input. If still no signal is heard, replace the main AX board with a known working board and test again. If no signal is present on output 1, repeat the above process. If still no signal is heard, replace the AEB with a known working board and test again.
- b) Using the connected S/PDIF link to the A/V amplifier, check that the PCM valid connection on the amplifier is visible. Play a track to check the audio integrity. If no digital connection is made, check the cable and ensure that the amplifier is set to the correct input. If still no connection can be made, replace the main AX board with a known working board and test again.
- c) Using the connected optical link to the A/V amplifier, check that the PCM valid connection on the amplifier is visible. Play a track to check the audio integrity. If no optical connection is made, check the cable and ensure that the amplifier is set to the correct input. If still no connection can be made, replace the main AX board with a known working board and test again.

## 9. Modem Test

Configure an internet account using either the built in account or details of your choosing. Input the details as described in the user manual. Once configured the network mode should automatically change to 'modem'. Check this at (settings -> system settings -> network mode). Perform a CD lookup as described in the user manual. The TV/monitor display and front panel of the unit will show status. Once connected the unit will name the album and tracks of the CD previously recorded and then disconnect automatically. If no connection can be made, check that the details are entered correctly in the MusicServer settings.

**NB Accounts using AOL or Compuserve are not compatible with the MusicServer CD lookup service.**

If no connection can be made after the default amount of

retries, make a note of the error code (on the front panel of the unit) and contact Imerge support.

## 10. Ethernet Test

Configure the ethernet settings on the MusicServer in one of three ways depending on the network available. The network mode will need to be changed to 'Ethernet' (settings -> system settings -> network mode)

a) Office LAN. This will typically use DHCP as the connection protocol. Ensure that the network mode is set to ethernet (settings -> system settings -> network mode). Navigate to ethernet settings and ensure the mode is set to DHCP (settings -> system settings -> ethernet settings -> mode). Power cycle the MusicServer to refresh the settings. Once powered up, record a CD as described in the user manual and hit 'auto' when prompted. As long as the ethernet connection is available, CD lookup will be performed over the office LAN.

b) Broadband router. Follow the instructions above for DHCP connection. To connect manually however ensure that the MusicServer has the IP address, subnet mask and gateway configured correctly. Make the connection mode 'manual' (settings -> system settings -> ethernet settings -> mode). Enter an IP address and subnet mask that the router can verify. The gateway will be the router's IP address. Ensure that the details used are visible by the router. More information on the router's IP range will be included in the router's documentation. Power cycle the MusicServer to refresh the settings. Once powered up, record a CD as described in the user manual and hit 'auto' when prompted. As long as the ethernet connection is available, CD lookup will be performed over the broadband connection.

c) If using a standalone network i.e. no connection to the outside world, connection with a PC must be used. Connect the PC and MusicServer to a hub on your network. Configure the ethernet settings manually on the MusicServer and likewise the PC. Power cycle both units. Using XiVA Producer on the PC, connect to the MusicServer by specifying its IP address under the 'advanced' button.

To quickly check communication, open an MS-DOS prompt on the PC and enter.

ping xxx.xxx.xxx.xxx (*x = Ipaddress of the MusicServer*).

You should get a reply from the MusicServer.

For detailed network connection information, please refer to the 'product training' documents on the XiVA support website.

## 11. Opus Text Test

Connect the Opus 3 unit cabling to the relevant connections on the MusicServer. For more information on this, see the user guide and user guide addendum. Check the functionality of the Opus kit with the MusicServer (play on each zone, control from keypads and IR, text display on the keypads). If none or some of the functionality is missing, check the cabling. If still no function, first replace the AEB with a known working board and test again. If still no function, replace the main AX board with a known working board and test again. If still no connection can be made, please contact your Opus support representative.

## 5. EXPLODED VIEW AND PARTS LIST

POS. NO	VERS. COLOR	PART NO. (FOR EUR)	PART NO. (MJI)	DESCRIPTION	
001B		10AW248010	10AW248010	FRONT PANEL	FRONT AL PANEL BLOCK
002B		185J251010	185J251010	BADGE	MZ BADGE
003B		10AW158010	10AW158010	WINDOW	WINDOW
004B		256J355040	256J355040	LENS	IR LENS(BL)
005B		319J355010	319J355010	LENS	STANDBY LENS
006B		10AW259010	10AW259010	BUSHING	SIDE END BUSH (L)
007B		10AW259020	10AW259020	BUSHING	SIDE END BUSH (R)
008B		10AW063010	10AW063010	ESCUTCHEON	CD-ROM TRAY ESC.
009B		10AW355010	10AW355010	LENS	ON LINE TRAY ESC.LENS
011B		10AW270010	10AW270010	BUTTON	POWER BUTTON
012B		10AW270020	10AW270020	BUTTON	OPEN/CLOSE PLAY BUTTON
013B		10AW270040	10AW270040	BUTTON	REC BUTTON
014B		10AW270030	10AW270030	BUTTON	CURSOL CENTER BUTTON
015B		10AW270060	10AW270060	BUTTON	WINDOW UNDER SIDE BUTTON
016B		10AW270050	10AW270050	BUTTON	CURSOL BUTTON
002G		183J057010	183J057010	LEG	LEG (FRONT)
003G		183J057110	183J057110	LEG	LEG (REAR)
▲ F001		*FS001100R	*FS001100R	FUSE	MAINS INLET FUSE 3.15A (20MM) IC00081-01
J001		*YT003310R	*YT003310R	TERMINAL	RJ11 IN LINE COUPLER IC00098-01
▲ J002		*YT003320R	*YT003320R	TERMINAL	IEC MAINS INLET FILTER ASSY IC00065-01
M001		*MM001270R	*MM001270R	FAN MOTOR	COOLING FAN (INCLUDING INTERCONNECT CABLE & CONNECTOR) IC00154-01
P001		*ZZ002080R	*ZZ002080R	PCB ASSY	MAIN BOARD ASSY PCBA002-01
P002		*ZZ002090R	*ZZ002090R	PCB ASSY	PSU OPEN FRAME ASSY IC00152-01
P003		*ZZ002100R	*ZZ002100R	UNIT KIT	CD-ROM ASSY (ORDER MW00114-01 [CD SUPPORT BRACKET] ALSO) IC00097-01
P004		*ZZ002110R	*ZZ002110R	PCB ASSY	MODEM ASSY IC00153-01
P005		*ZZ002120R	*ZZ002120R	PCB ASSY	DISPLAY ASSY (INCLUDES LCD MODULE) PCBA001-01
P006		*ZZ002130R	*ZZ002130R	PCB ASSY	LCD MARANTZ (SUB ASSEMBLY) IC00161-01
P007		nsp	*ZZ002140R	PCB ASSY	AUDIO EXPANSION BOARD (OPUS 2) PCBA003-01
P007			*ZZ002150R	PCB ASSY	AUDIO EXPANSION BOARD (OPUS 3) PCBA006-02
P008		*ZZ002160R	*ZZ002160R	PCB ASSY	ON-LINE BOARD, POWER SWITCH BOARD AND CABLE ASSY SA00093-01
P009		*ZZ002170R	*ZZ002170R	PCB ASSY	MEMORY MODULE (SDRAM) IC00151-01
P010		*ZZ002180R	*ZZ002180R	UNIT KIT	HDD 80GB IC130SE-01 PRE-CONFIGURED WITH XIVA SW & LICENCED
					<b>Service Exchange Assemblies (P011 - P014)</b>
P011		*ZZ002190R	*ZZ002190R	PCB ASSY	SERVEX MAIN BOARD ASSY PCB02SE-01
P012		*ZZ002200R	*ZZ002200R	PCB ASSY	SERVEX AUDIO EXPANSION BOARD (OPUS 2) PCB03SE-01
P013		*ZZ002210R	*ZZ002210R	PCB ASSY	SERVEX AUDIO EXPANSION BOARD (OPUS 3) PCB04SE-01
P014		*ZZ002220R	*ZZ002220R	PCB ASSY	SERVEX DISPLAY ASSY (INCLUDES LCD MODULE) PCB01SE-01
W001		*YB001880R	*YB001880R	WIRE	CABLE MAINS INLET TO PSU IC00145-01
W002		*YB001890R	*YB001890R	WIRE	CABLE PSU TO MAIN BOARD IC00146-01
W003		*YB001900R	*YB001900R	WIRE	CABLE MODEM HEADER TO MODEM IC00147-01
W004		*YB001910R	*YB001910R	WIRE	CABLE PCB TO RS232 IC00155-01
W005		*YB001920R	*YB001920R	WIRE	SPDIF CD-ROM TO BOARD CABLE IC00148-01
					<b>PACKING</b>
001T		10AW851310	10AW851310	USER GUIDE	USER GUIDE DH9300 (U N) PK00172-01
002T		10AW851010	10AW851010	USER GUIDE	OPUS INTERFACE USER GUIDE PK00210-01
050T		10AW851020	10AW851020	USER GUIDE	INFORMATION SHEET
Z001		ZK10AW0010	ZK10AW0010	UNIT KIT	REMOTE CONTROLLER RC9300DH AC00008-01
					<b>NOT STANDARD SPARE PARTS</b>
001S		nsp	10AW801010	PACKING CASE	PACKING CASE

NOTE : \*nsp\* PART IS LISTED FOR REFERENCE ONLY, MARANTZ WILL NOT SUPPLY THESE PARTS.



